



PS Heavy Parts

Add: 6-102, No.8 Changxiu Road, Xihu Street, Wujin Economic Development Zone, Changzhou China

WhatsApp: +86-133 3819 9092

Wechat: PSMFG2014

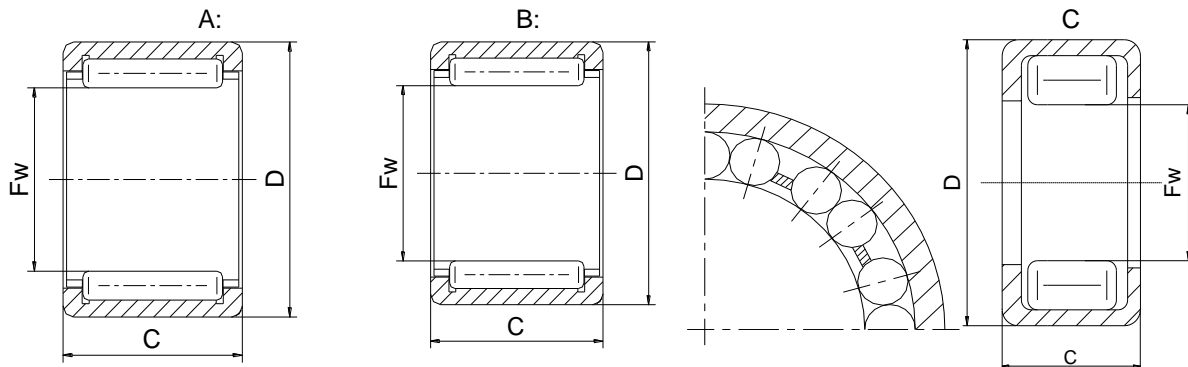
Skype: psbearings

www.psheavyparts.com

parts@psheavyparts.com

psheavyparts@gmail.com

High Pressure Gear Pump Needle Roller Bearing



Part Number	Ref.	OEM No.	Dimension(mm)			Application	Design
			Fw	D	C		
Y1032	F45397.2, TJ74765D	391-0381-906	27	42.86	25.4	P20, P21, P30, P31, C101, C102	B
S1032	F52521.2, TJ74701-11-D	391-0381-905	32.77	49.21	28.58	P50, P51, C101, C102, G101, G102	B
R1032	F50832, TJ74702-11-D	391-0381-904	38.1	58.98	31.75	P75, P76	B
644706B			32	50	35		B
644907B			35	51	32		B
644708B			42	65	32		B
644910B			48.3	72	40		B
RNA223425A			22	34	25		A
644906A			28	40	32		A
RNA304425A			30	44	25		A
RNA355232A			35	52	32		A
RNA335035B			33	50	35		B
RNA355730B			35	57	30		B
RNA406235B			40	62	35		B
RNA385938B			38	59	38		B
RNA385934B			38	59	34		B
RNA355730B			35	57	30		B
TJ74884			39	49.5	38.3		B
TJ75328			44.45	66.68	47.63		B
30NQ4425			30	44	25		A
22NQ3425			22	34	25		A
SN1816			28.58	34.93	25.4		C
SN2020			31.75	38.1	31.75		C